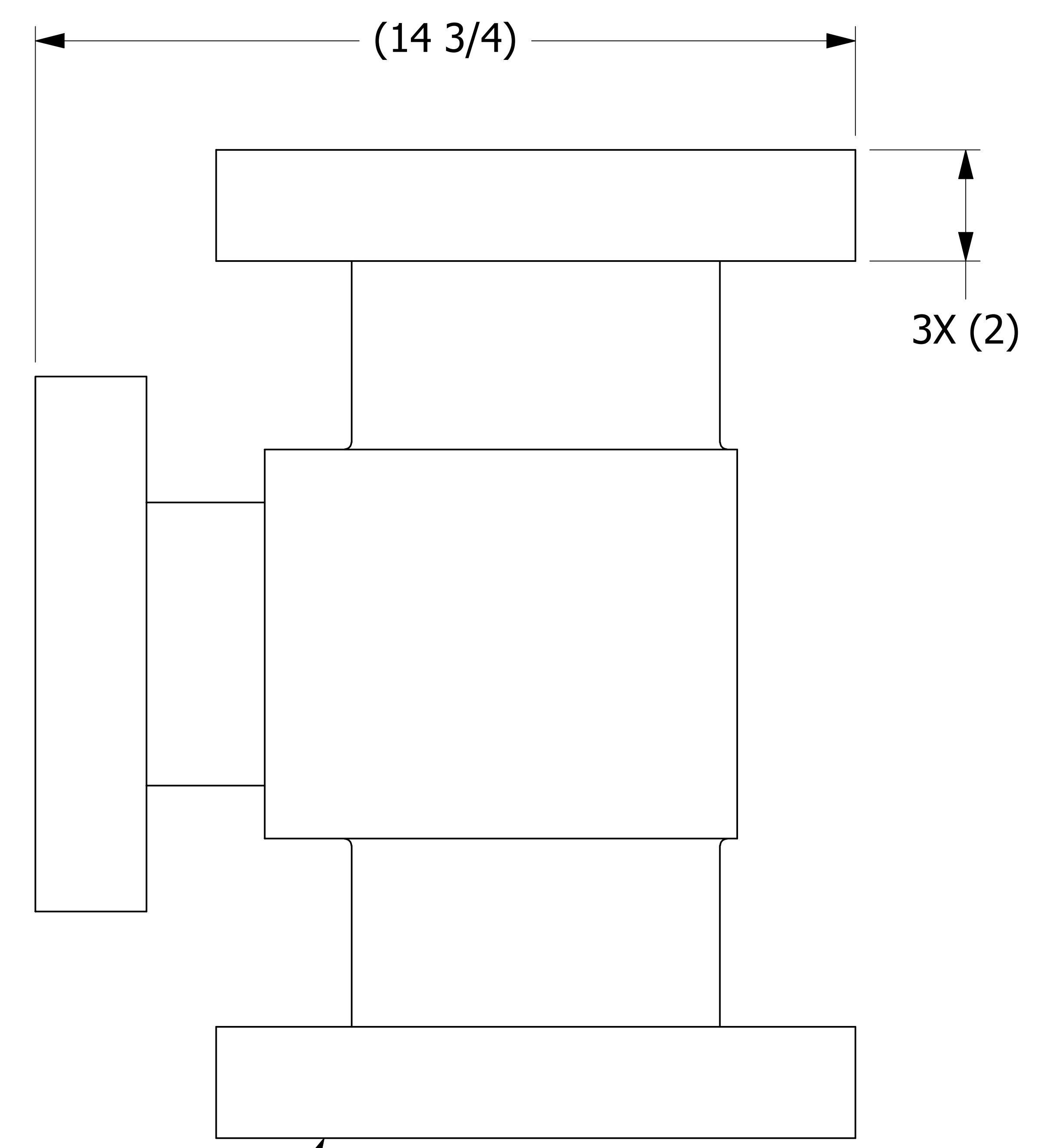
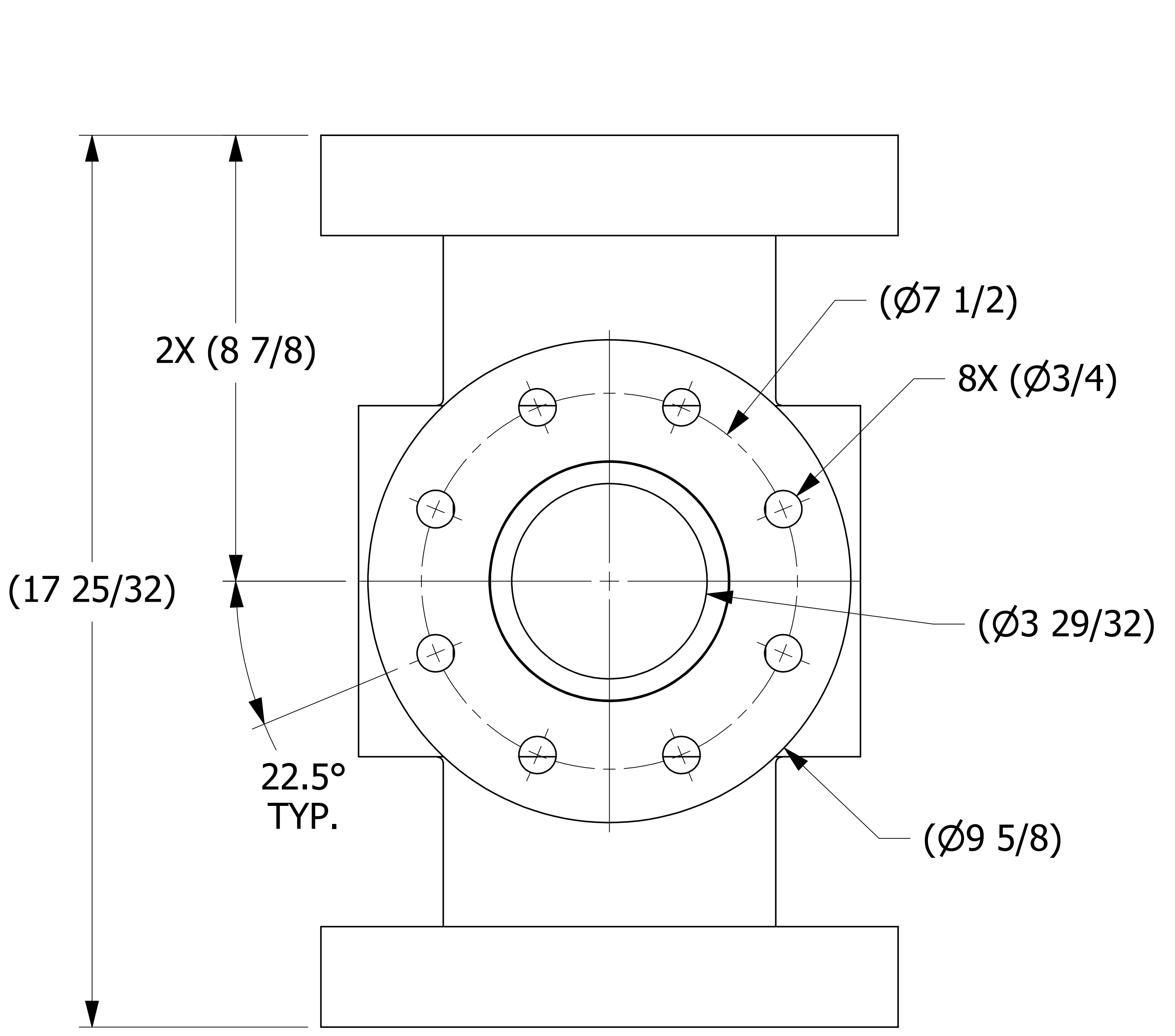


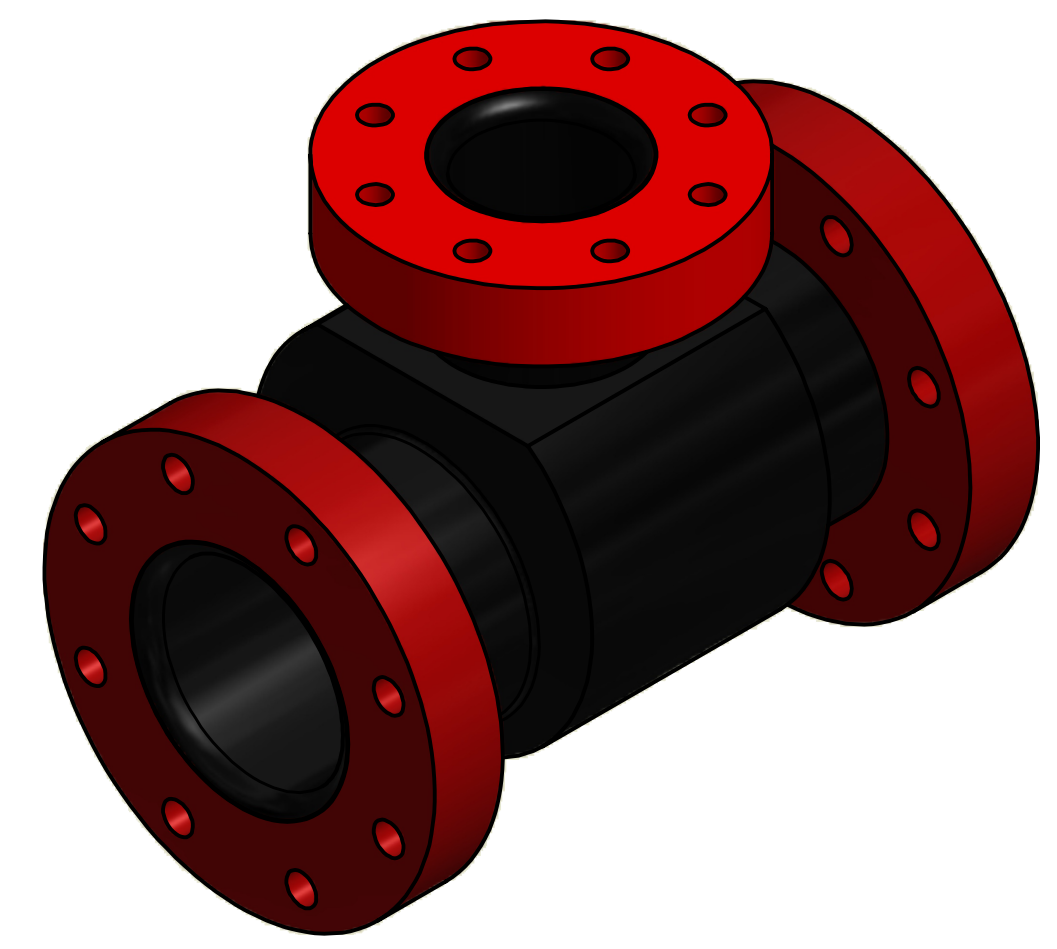
SALES DRAWING SALES DRAWING

SALES DRAWING SALES DRAWING

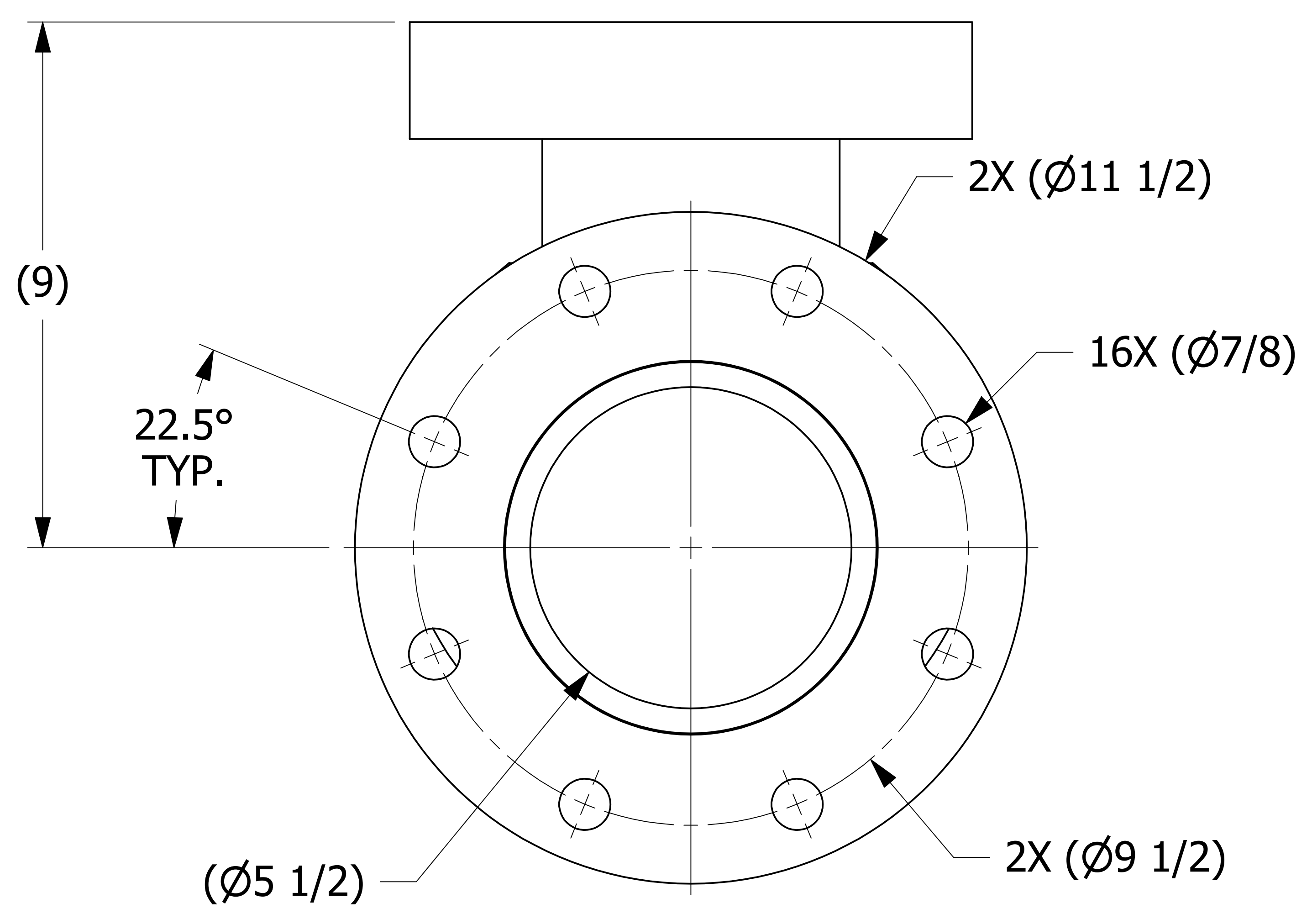


SERRATED GASKET SURFACE (3 PLACES)

NOTE:
 SOLD TO WORLEY WELDING ONLY.



ISOMETRIC VIEW



UNLESS OTHERWISE SPECIFIED
 DIMENSIONAL TOLERANCES
 FRACTIONAL: ±1/16
 X.XX: ±.03
 X.XXX: ±.015
 ANGULAR: ±1°
 DEBURR ALL SHARP EDGES.
 ALL MACHINED SURFACES TO
 HAVE A 125 RMS FINISH UNLESS
 NOTED OTHERWISE.

DRAWN BY:	TAK
CHECKED BY:	GDS
PROTOTYPE BY:	TAK
PROTOTYPE DATE:	4/4/2014
APPROVED FOR PRODUCTION BY:	TAK
PRODUCTION DATE:	4/11/2014

A	TAK	4-11-14	RELEASED FOR PRODUCTION
REV	BY	DATE	DESCRIPTION
SALCO PRODUCTS, INC.			
PART NAME: PIPE TEE 6"X4"			
MATERIAL: SALCO PE			
PROJECT #:	140402	SHEET #:	1 OF 1
DRAWING #:	E38785	PART #:	HS6X4PT5
		SCALE:	2:3